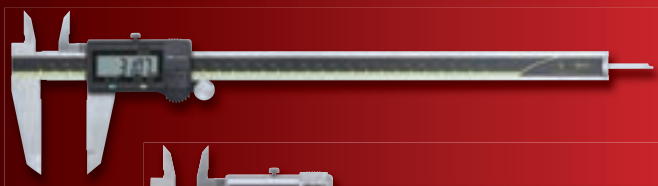
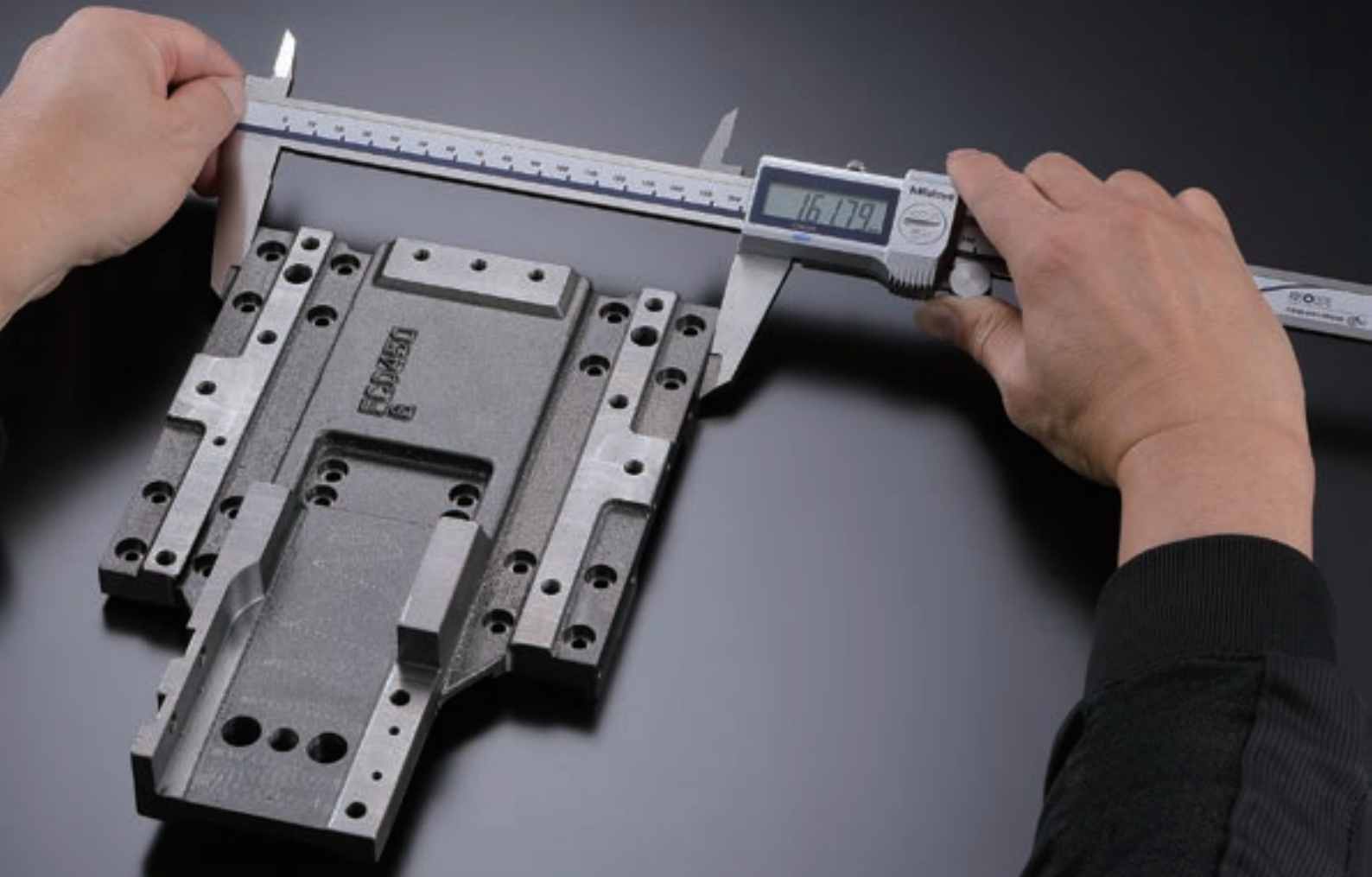


# ABSOLUTE Digimatic Calipers Standard & Coolant Proof



*300 mm measuring range, now with highly visible LCD!*



Small Tool Instruments and Data Management



# Digital caliper equipped with absolute scale ABS Digimatic Caliper

**Measuring range: 300 mm**



500-153-30



500-714-20 **IP67**



## Features

### Easy-to-see large numbers!

The character height on the LCD is increased to **11.0 mm** to enhance visibility (**Standard** model: Increased by approx. **16%**, **IP67** model: Increased by approx. **8%**, in-house comparison).

### No zero-adjustment necessary!

Thanks to the ABS (absolute) scale, troublesome zero adjustment is eliminated.

### 20 mm beam width aids stability!

Thanks to the **20 mm** beam width, the straightness of the scale is excellent and so accuracy is maintained over the whole measuring range.

### Environment-friendly battery life!

The battery life is extended from 3.5 years to **5 years** for the **Standard** model and from 1 year to **5 years** for the **IP67** model (in-house comparison). Reducing battery replacements helps to protect our environment.

### Highly resistant to water, oil, and stains! \*1

These calipers conform to the **IP67** ingress protection level and can be used in the same harsh environments as purely mechanical calipers.



#### COOLANT PROOF™ **IP67**

COOLANT PROOF \*2 is the universal term for Mitutoyo Digimatic Small Tool Instruments that are not only resistant to dust and water ingress but also to deterioration of materials due to contact with the cutting oil or coolant fluids in normal use.

### Simple battery replacement! \*1

There is no screw on the battery lid. Quick battery replacement and airtightness are achieved with a click-lock lid.

### New appearance!

These newly designed products continue the user-friendliness of the previous models with 200 mm or less measuring range.

\*1: This feature is only available on the **IP67** model, an IP67 ABS coolant proof caliper.

\*2: Some types of aggressive cutting oil or coolant may degrade the sealing materials over time.

# with Dust/Water Protection Conforming to IP67 Level IP67 ABS Digimatic Coolant Proof Caliper

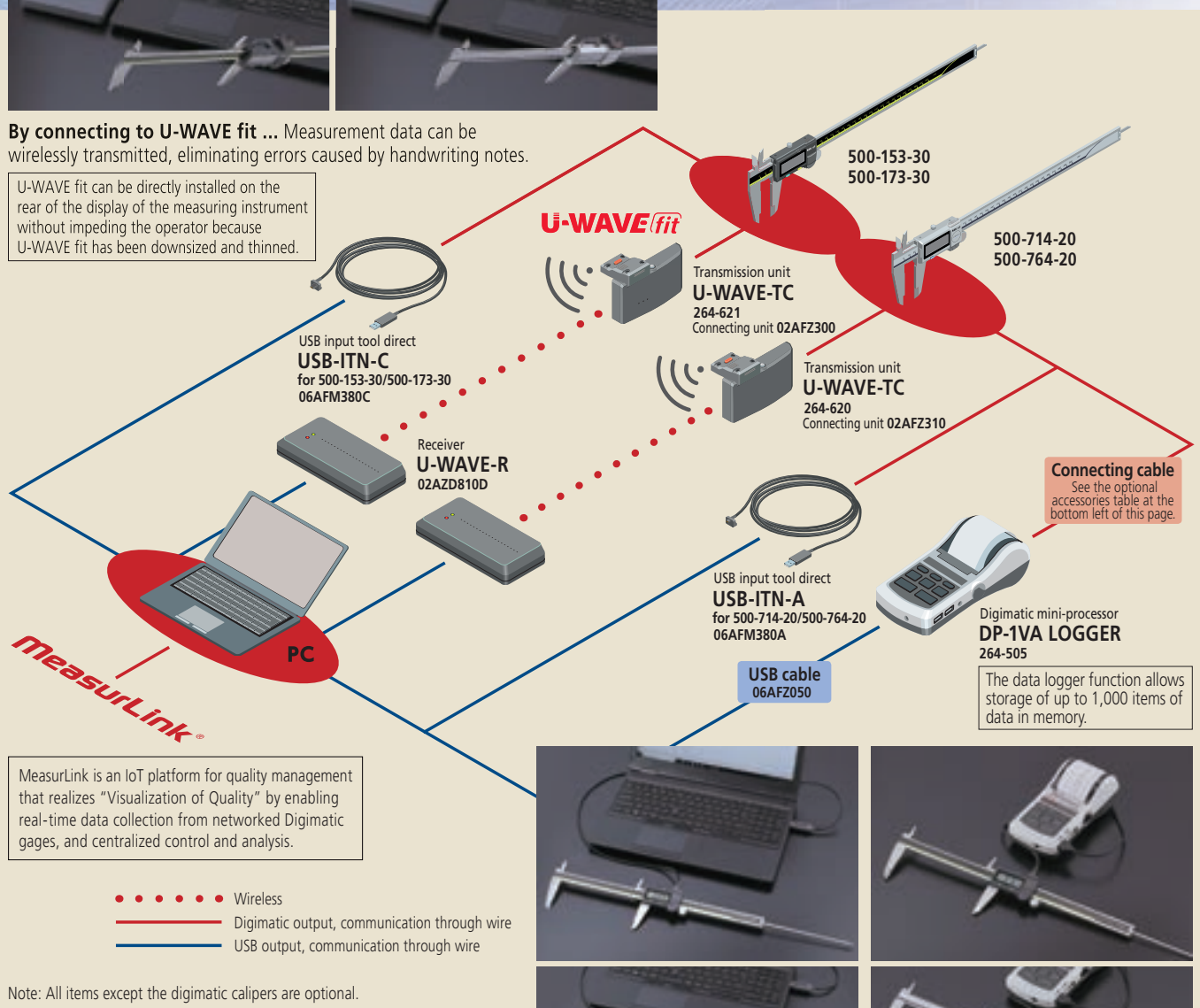
**Measuring range: 300 mm**

## Centralized data management



By connecting to U-WAVE fit ... Measurement data can be wirelessly transmitted, eliminating errors caused by handwriting notes.

U-WAVE fit can be directly installed on the rear of the display of the measuring instrument without impeding the operator because U-WAVE fit has been downsized and thinned.



MeasurLink is an IoT platform for quality management that realizes "Visualization of Quality" by enabling real-time data collection from networked Digimatic gages, and centralized control and analysis.

## Optional accessories

	Product	Order No.
For 500-153-30 500-173-30	Connecting cable	959149 (1 m) 959150 (2 m)
	Hold unit	959143
For 500-714-20 500-764-20	Connecting cable	05CZA624 (1 m) 05CZA625 (2 m)



**By connecting to Input Tool Direct ...**  
Measurement data can be input to Microsoft Excel, Microsoft Notepad and similar software.  
Note: Microsoft Excel is a registered trademark of Microsoft Corporation.

**By connecting to DP-1VA LOGGER ...**  
Measurement data can be printed, and measurement data and log data can be transmitted in a batch to a PC with a one-touch operation.

## Specifications

Order No.	Metric		Inch/Metric	
	500-153-30	500-714-20	500-173-30	500-764-20
Measuring range	0 - 300 mm		0 - 12 in / 0 - 300 mm	
Resolution	0.01 mm		0.0005 in / 0.01 mm	
Accuracy*1	±0.03 mm		±0.0015 in / ±0.03 mm	
Repeatability	0.01 mm		0.0005 in / 0.01 mm	
Mass	350 g		350 g	
Fine adjustment	Thumb roller			
Data output	Digimatic code format			
IP code level	—	IP67	—	IP67
Power supply	Silver oxide battery SR44 (1 pc.)			
Battery life	Approx. 5 years under normal use			
Scale type	Electromagnetic induction-type ABSOLUTE linear encoder			
Max. response speed	Unlimited			
LCD display	7-segment/6-digit, minus [-] sign, character height: 11.0 mm			
Function	Power on/off, origin-set, ZERO/ABS, data output*2, data hold*3	Origin-set, automatic power on/off*4, data output*2	Power on/off, origin-set, ZERO/ABS, data output*2, data hold*3	Origin-set, automatic power on/off*4, data output*2
Alarm	Low battery voltage, Scale surface contamination, Overflow			
Operating temperature	0 to 40 °C			
Storage temperature	-10 to 60 °C			

\*1: Excluding quantizing error

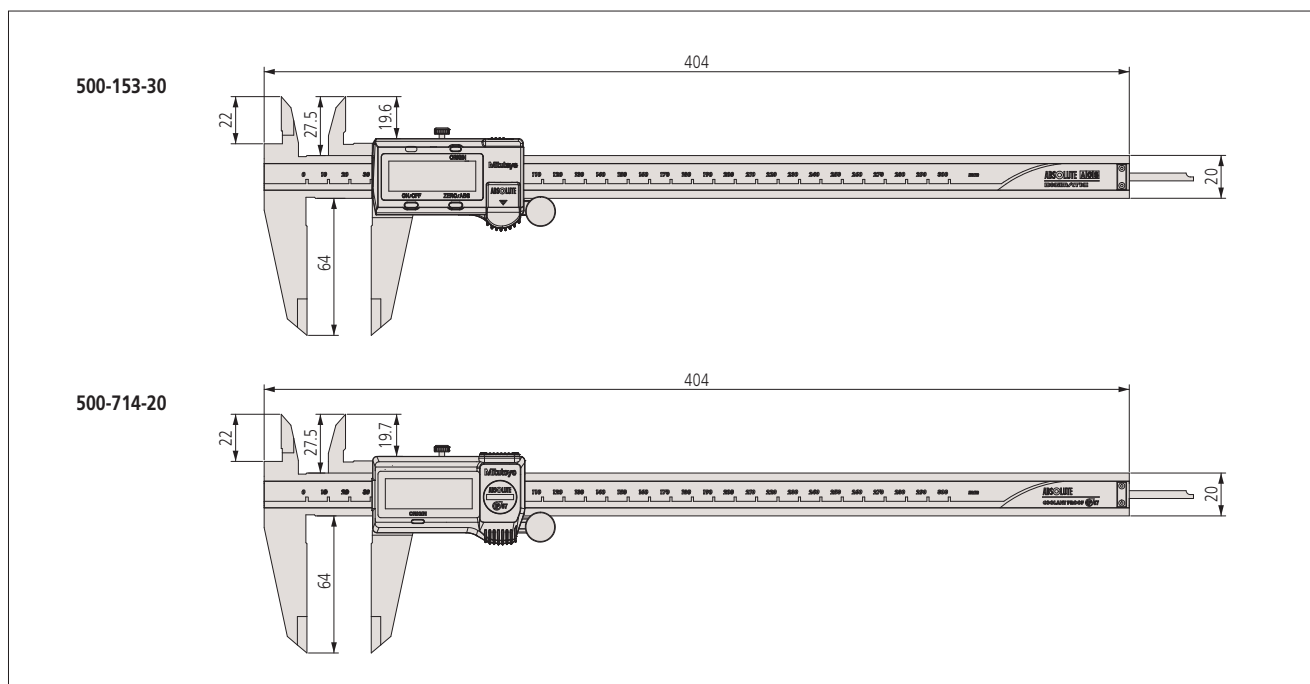
\*2: By using the optional connecting cable with data switch, measurement data can be output

\*3: By using the optional data hold unit, the displayed value can be held.

\*4: Display will turn off after 20 minutes inactivity. Power is restored when the slider is moved.

## Dimensions

Unit: mm



Find additional product literature  
and our product catalogue

<http://www.mitutoyo.co.jp/global.html>

Our products are classified as regulated items under Japanese Foreign Exchange and Foreign Trade Law. Please consult us in advance if you wish to export our products to any other country. If the purchased product is exported, even though it is not a regulated item (Catch-All controls item), the customer service available for that product may be affected. If you have any questions, please consult your local Mitutoyo sales office.

Note: Product illustrations are without obligation. Product descriptions, in particular any and all technical specifications, are only binding when explicitly agreed upon.

MITUTOYO and MiCAT are either registered trademarks or trademarks of Mitutoyo Corp. in Japan and/or other countries/regions. Other product, company and brand names mentioned herein are for identification purposes only and may be the trademarks of their respective holders.

# Mitutoyo

Mitutoyo Corporation

20-1, Sakado 1-Chome,  
Takatsu-ku, Kawasaki-shi,  
Kanagawa 213-8533, Japan

T +81 (0) 44 813-8230

F +81 (0) 44 813-8231

<http://www.mitutoyo.co.jp>